

MC-7200-MP-T

x86 fanless, wide temperature industrial computer with 3rd Generation Intel® Core™ processor



- > High performance Intel® Core™ processor: i7 3555LE, i3 3120ME, or Celeron 1047UE
- > Fanless design
- > Full marine I/O design
- > PCI/PCIe slot
- > 3 independent displays (DVI-D x 2 + VGA x 1)
- > 2 USB 3.0 ports, 6 USB 2.0 ports
- > 2 SATA drive slots for greater storage capacity
- > Dual power: 100 to 240 VAC and 24 VDC
- > -40 to 70°C operating temperature range
- > Supports Moxa Proactive Monitoring software



Overview

The MC-7200-MP-T marine computer is powered by the latest 3rd generation Intel® Core™ i7 3555LE processor, delivering a full range of I/O connectivity, including 8 NMEA 0183 ports, 4 serial ports, 4 Gigabit Ethernet ports, as well as 6 USB 2.0 and 3 SuperSpeed USB 3.0 ports. The MC-7200-MP-T is designed to provide outstanding PC performance, bringing a new level of flexibility and control to marine applications.

Designed with the highest quality and durability in mind, the marine-grade MC-7200-MP-T computer features a rugged chassis that can withstand vibrations up to 1G to provide the most reliable operation for harsh environments and conditions. In addition, low power consumption delivers an optimal thermal solution and makes installation easy for bridge systems in marine applications. Another plus are the 1 PCIe (x16) slot and 2 universal PCI slots that allow users to easily install a variety of adapters, including radar cards, PROFIBUS cards, and VGA graphics cards, to fully satisfy all your marine network needs.

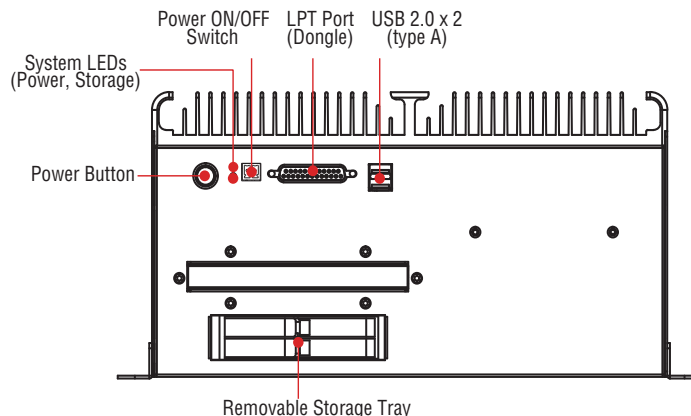
Users can easily install Windows XP Embedded, XP Professional, or Windows 7, to provide a flexible and friendly environment for system development and application implementation.

Proactive Monitoring Function

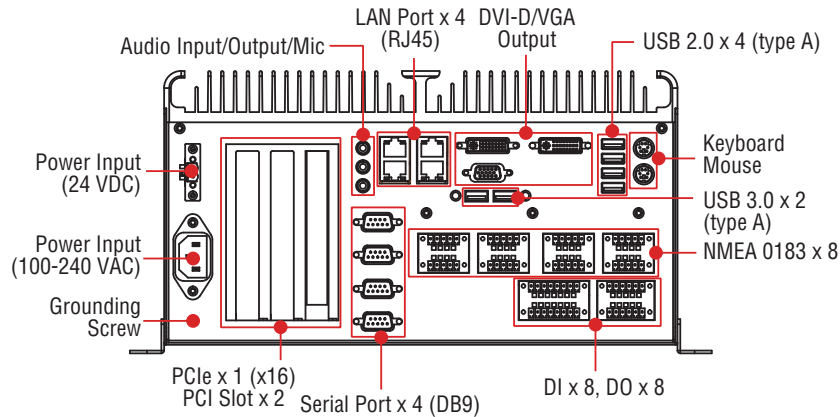
Moxa Proactive Monitoring is a small-footprint, resource-friendly, easy-to-use utility that allows users to track a number of system parameters. Users can view the current parameter values for these key parts by simply clicking on the icons corresponding to the parameters in the user interface. User-defined key part indicators (KPIs) are used to monitor the computer's key parts. Visible and/or audio alerts are triggered automatically via relay and SNMP traps when these KPIs exceed their preset threshold values, making it extremely convenient for operators to avoid system downtime by setting up predictive maintenance tasks well in advance.

Appearance

Front View

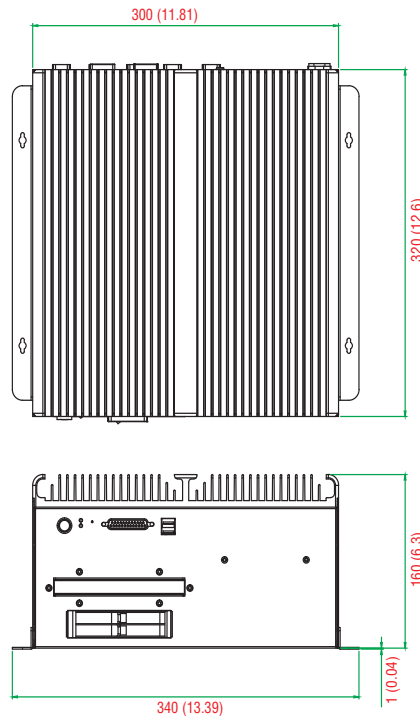


Rear View



Dimensions

Unit: mm (inch)



Specifications

Computer

- CPU:** Intel® Core™ i7-3555LE, dual core 64-bit 2.5 GHz processor
- Supported OS:** Windows 7, Windows XP SP3, Windows XP Embedded (must be installed by the user)
- System Chipset:** Intel® QM77 Express Chipset
- System Memory:** 16 GB capacity, with 4 GB pre-installed (2 slots total, with a 4 GB DDR3/DDR3L-1600 204 pin SO-DIMM SDRAM pre-installed in 1 slot)
- USB:** USB 2.0 hosts x 6, USB 3.0 hosts x 2, Type A connectors
- Storage:**
 - 2 SATA III 6 Gbps ports for removable storage tray
 - 2 SATA II 3 Gbps ports (internal, for installing optional hard disks)

Other Peripherals

- Audio:** Line in x 1, Line out x 1, Microphone x 1
- KB/MS:** 2 PS/2 interfaces supporting standard PS/2 keyboard and mouse
- PCI Slots:** 2
- LPT Ports:** 1
- PCIe x16 Slots:** 1

Display

- Display Interface:**
 - VGA Interface x 1: 15-pin D-Sub connector (female), with resolution up to 2048x1536 pixels with 32-bit color at 75 Hz
 - DVI-D Interface x 2: 29-pin DVI-D connectors (female), with resolution up to 1920 x1200 pixels with 32-bit color at 60 Hz
- Graphics Controller:** Onboard Intel® HD 4000 graphics

Ethernet Interface

- LAN:** 4 auto-sensing 10/100/1000 Mbps ports (RJ45)
- Magnetic Isolation Protection:** 1.5 kV built in

Serial Interface

- Serial Standards:**
 - 2 RS-232/422/485 ports, software-selectable (DB9 male)
 - 2 RS-232 ports (DB9)
 - 8 NMEA 0183 terminals (NMEA 2000 available on request)

Serial Communication Parameters

- Data Bits:** 5, 6, 7, 8
- Stop Bits:** 1, 1.5, 2

Parity: None, Even, Odd, Space, Mark
Flow Control: RTS/CTS, XON/XOFF, ADDC® (automatic data direction control) for RS-485
Baudrate: 50 bps to 115.2 kbps

Serial Signals

RS-232: TxD, RxD, DTR, DSR, RTS, CTS, DCD, GND
RS-422: TxD+, TxD-, RxD+, RxD-, GND
RS-485-4w: TxD+, TxD-, RxD+, RxD-, GND
RS-485-2w: Data+, Data-, GND

NMEA Interface

Serial Standards: NMEA 0183v2 (NMEA 2000 available on request)

Base Serial Standard:

- NMEA 0183: RS-422
- NMEA 2000: CAN bus (available on request)

Optical Isolation Protection: 3 kV

Voltage Differential: -6 V to +6 V (maximal differential level)

Baudrate: 4800 bps

Data Bits: 8

Stop Bits: 1, 1.5, 2

Parity: None

Handshake: None

Digital Input

Input Channels: 8 dry channels, with 4 grounds

Digital Input Levels for Dry Contacts:

- Logic level 0: Close to GND
- Logic level 1: Open

Connector Type: 6-pin Phoenix-compatible 3.81 mm screw terminal block x 2

Isolation: ESD protection to DNV specifications

Relay Output

Type: Form A (N.O.) power relay

Output Channels: 8 output channels

Contact Rating: 2 A, 30 VDC / 0.5 A, 125 VAC under resistor load

Initial Insulation Resistance: 1000 Mohm (min.) @ 500 VDC

Mechanical Endurance: 100,000,000 operations @ 2 A, 30 VDC resistive load

Electrical Endurance: 100,000 operations

Contact Resistance: Max. 50 Mohm @ 6 V, 0.1 A

Connector Type: 8-pin Phoenix-compatible 3.81 mm screw terminal blocks x 2

Isolation: Relay isolation; ESD protection to DNV specifications

LEDs

System: Storage, Power

LAN: 100M/Link x 4, 1000M/Link x 4 (on connector)

Physical Characteristics

Housing: Aluminum, sheet metal

Weight: 8 kg

Dimensions: 320 x 340 x 160 mm (12.6 x 13.39 x 6.3 in), with mounting ears

Mounting: Wall

Environmental Limits

Operating Temperature: -40 to 70°C (-40 to 158°F)

Storage Temperature: -50 to 80°C (-58 to 176°F)

Ambient Relative Humidity: 5 to 95% (non-condensing)

Anti-Vibration:

- 0.7 g @ DNV 2.4 (Class A), sine wave, 2-100 Hz, 1 Oct./min., 1.5 hr per axis
- 1 g @ DNV 2.4, random wave, 3-100 Hz, 2.5 hr per axis
- 2.1 g @ DNV 2.4 (Class C), sine wave, 2-50 Hz, 1 Oct./min., 1.5 hr per axis

Power Requirements

Input Voltage:

- DC: 24 VDC (with tolerance from 18 to 32 VDC, 2-pin terminal block)
- AC: 100 to 240 VAC

Power Consumption: Less than 100 W, 2.5 A @ 24 VDC

Standards and Certifications

Safety: UL 60950-1

EMC: EN 55032 Class B, EN 55024, FCC Part 15 Subpart B Class A

Marine Standards: IEC 60945 4th, IEC 61162

Marine Type Approval: DNV 2.4 and EU MR

Green Product: RoHS, cRoHS, WEEE

Reliability

Automatic Reboot Trigger: Built-in watchdog timer (WDT), configurable for resets following 1-255 second hang intervals; software programmable

Warranty

Warranty Period: 3 years

Details: See www.moxa.com/warranty

Ordering Information

Available Models

Model Name	CPU	RAM	Storage (pre-installed)	OS (pre-installed)	SSD Slot	LAN	Serial	USB 2.0	USB 3.0	DIO	NMEA 0183	Video Output	Audio	PS/2	LPT	PCI/PCIe Slot	Power Input	Operating Temp.
MC-7270-MP-T	i7-3555LE	4 GB	N/A	N/A	2 (external)	4	4	6	2	8DI/8DO	8	1 VGA + 2 DVI-D	✓	✓	1	1 PCIe x16 2 PCI	24 VDC (18-30 V) 100-240 VAC	-40 to 70°C
MC-7230-MP-T	i3-3120ME	4 GB	N/A	N/A	2 (external)	4	4	6	2	8DI/8DO	8	1 VGA + 2 DVI-D	✓	✓	1	1 PCIe x16 2 PCI*	24 VDC (18-30V) 100-240 VAC	-40 to 70°C
MC-7210-MP-T	Celeron 1047UE	4 GB	N/A	N/A	2 (external)	4	4	6	2	8DI/8DO	8	1 VGA + 2 DVI-D	✓	✓	1	1 PCIe x16 2 PCI	24 VDC (18-30 V) 100-240 VAC	-40 to 70°C

Note: Use the Moxa CTOS process to select RAM, storage, and OS options. Please contact your Moxa sales representative for details.

Optional Accessories (can be purchased separately, for AC power input)

PWC-C13US-3B-183: Power cord with 3-pin connector, USA plug

PWC-C13EU-3B-183: Power cord with 3-pin connector, Euro plug

PWC-C13UK-3B-183: Power cord with 3-pin connector, British plug

PWC-C13AU-3B-183: Power cord with 3-pin connector, Australia plug

PWC-C13CN-3B-183: Power cord with 3-pin connector, China plug

Package Checklist

- 1 MC-7200-MP-T computer
- 2 removable storage protection keys
- Wall mounting kit, with 8 screws
- 1 2-pin terminal block for DC power input
- 1 2-pin terminal block for Power ON/OFF switch
- 2 6-pin digital input terminal blocks
- 2 8-pin digital output terminal blocks
- 8 5-pin terminal blocks for NMEA 0183 ports
- Documentation and driver CD
- Quick installation guide